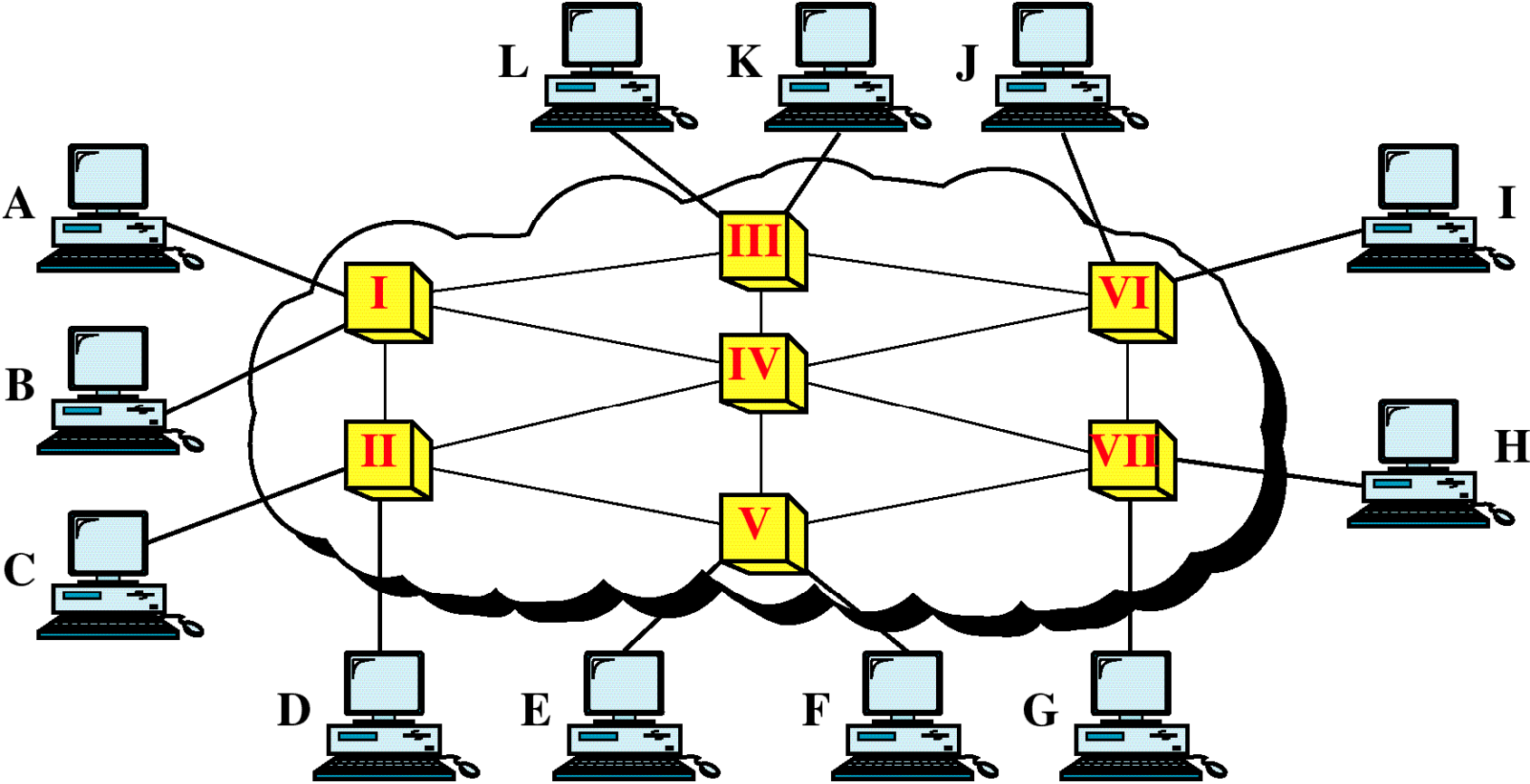


Switching

- **Circuit Switching**
- **Packet Switching**
- **Message Switching**

Switched Network



Switching methods

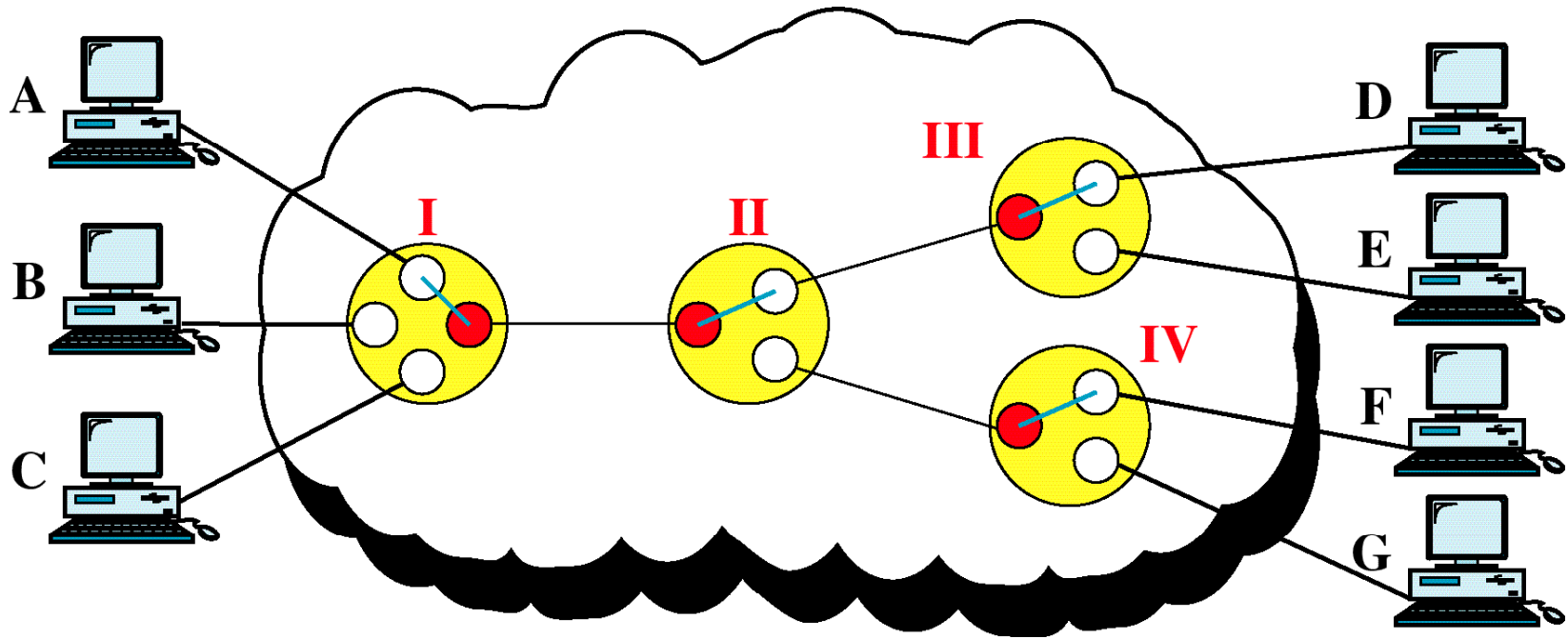
```
graph TD; A[Switching methods] --- B[Circuit switching]; A --- C[Packet switching]; A --- D[Message switching];
```

Circuit switching

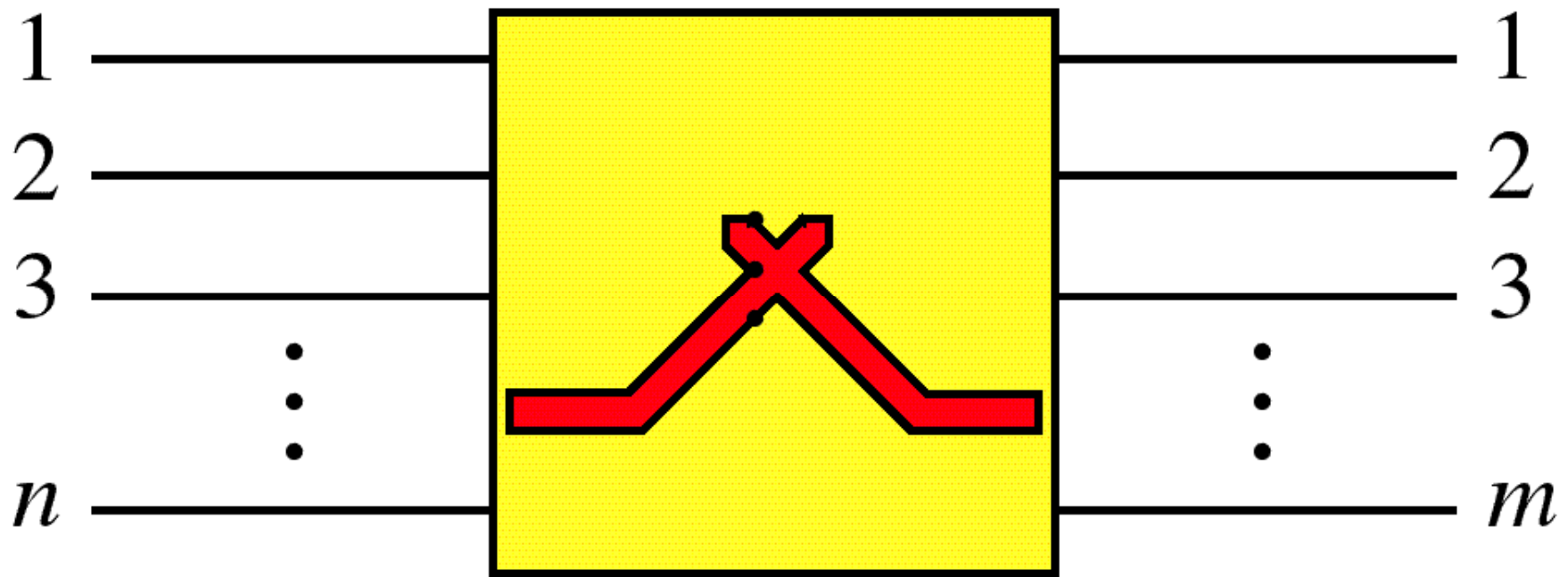
Packet switching

Message switching

Circuit-Switched Network

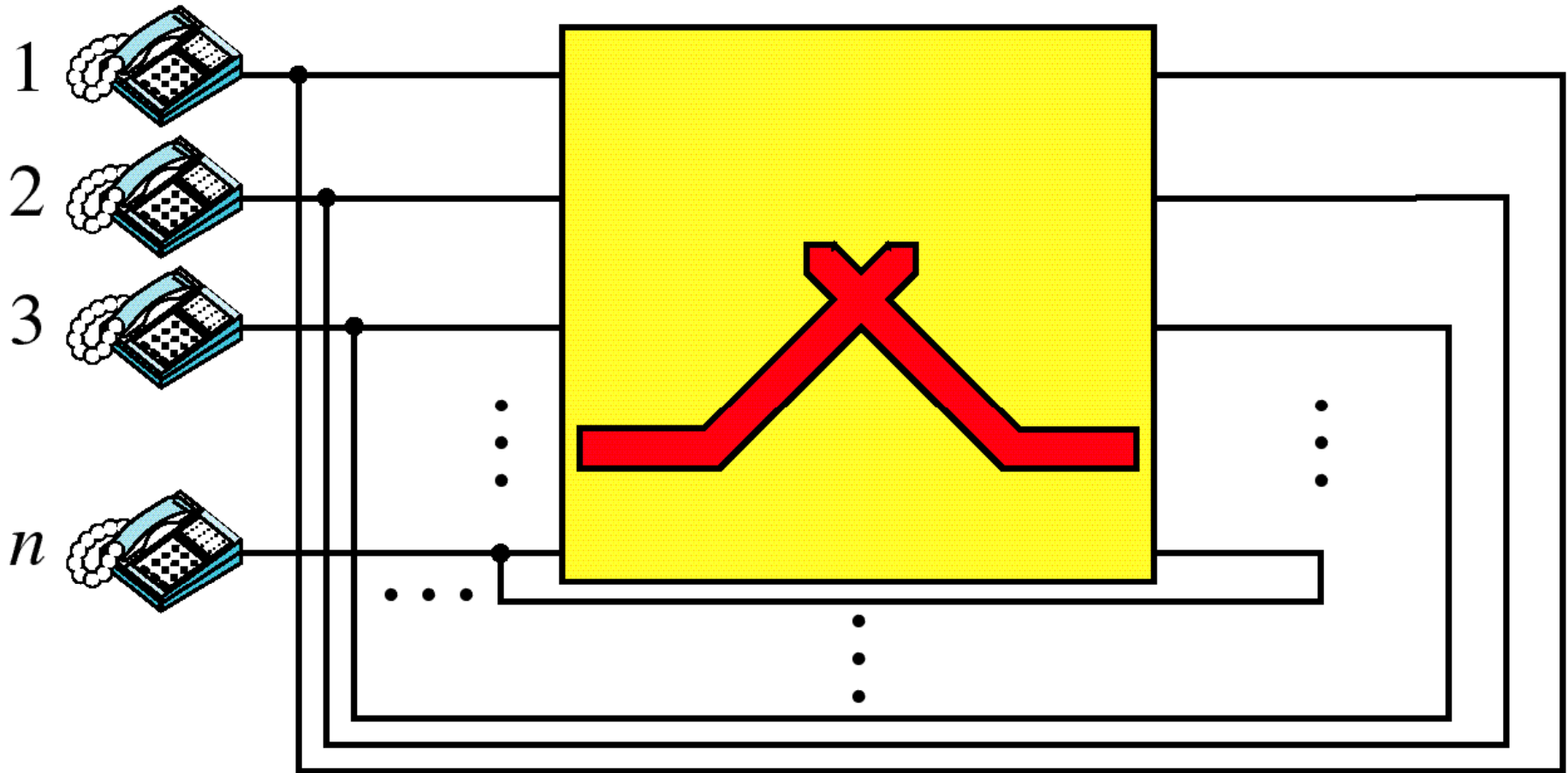


Switch



Folded Switch

Switch



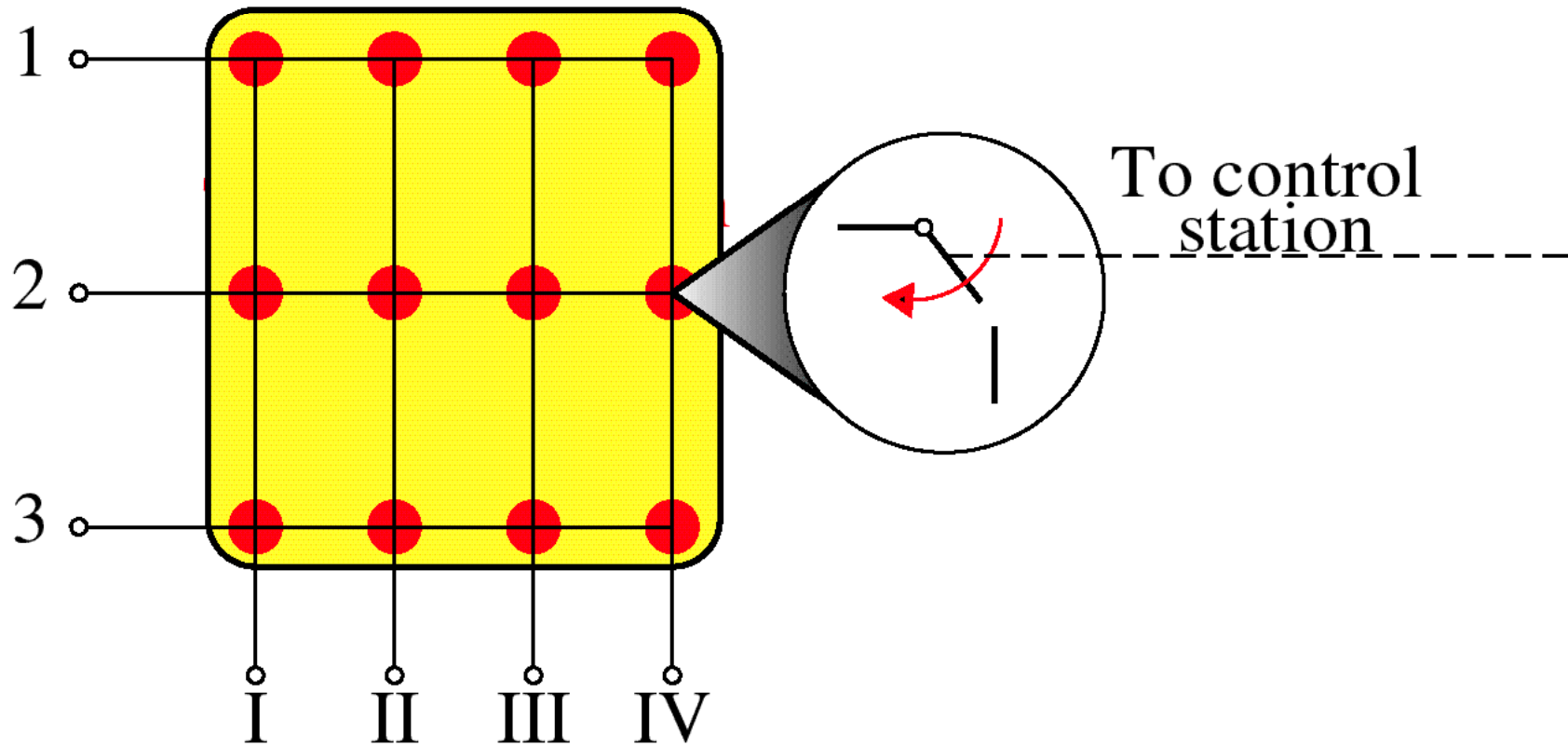
Circuit switching

```
graph TD; A[Circuit switching] --- B[Space-division switching]; A --- C[Time-division switching]
```

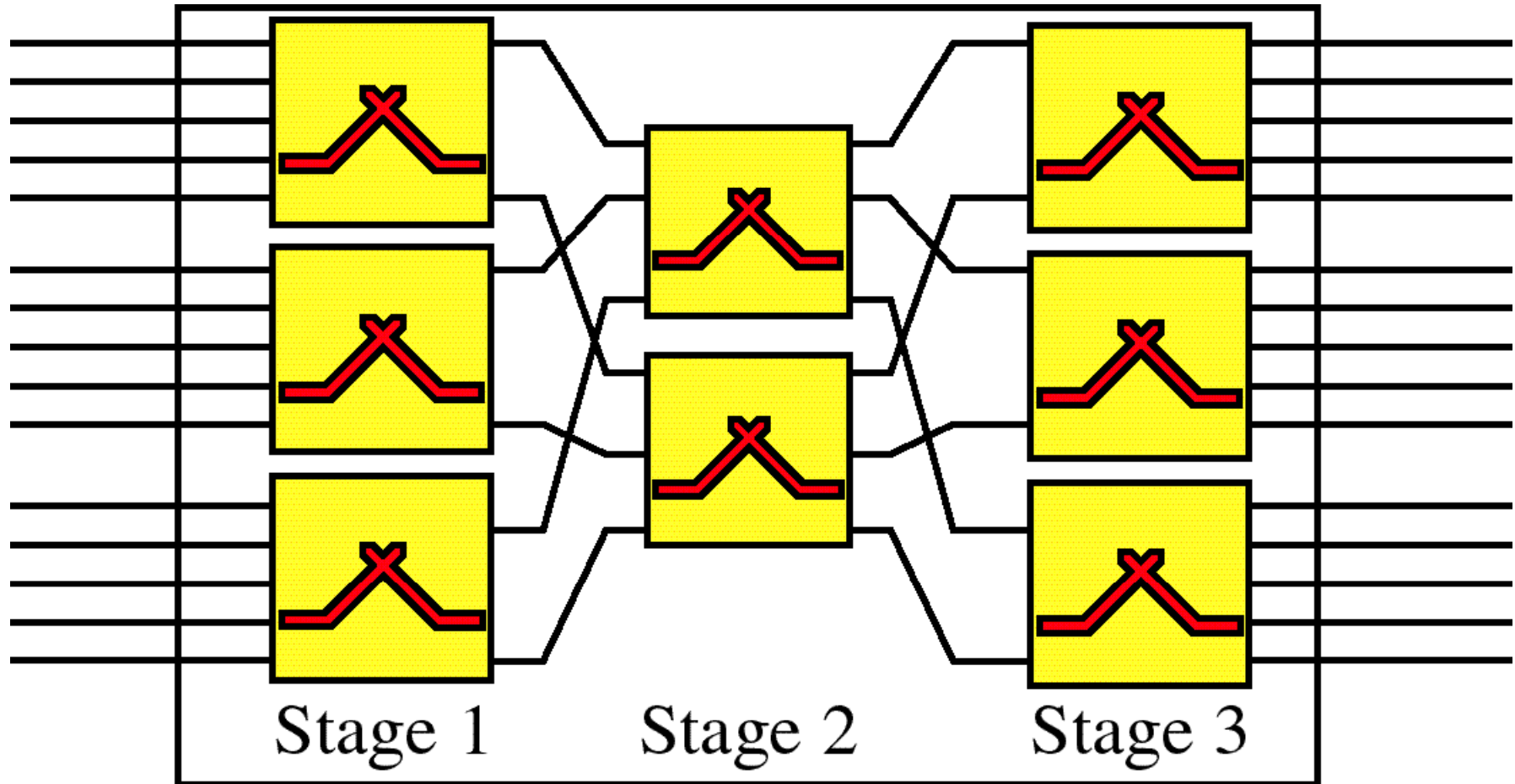
Space-division switching

Time-division switching

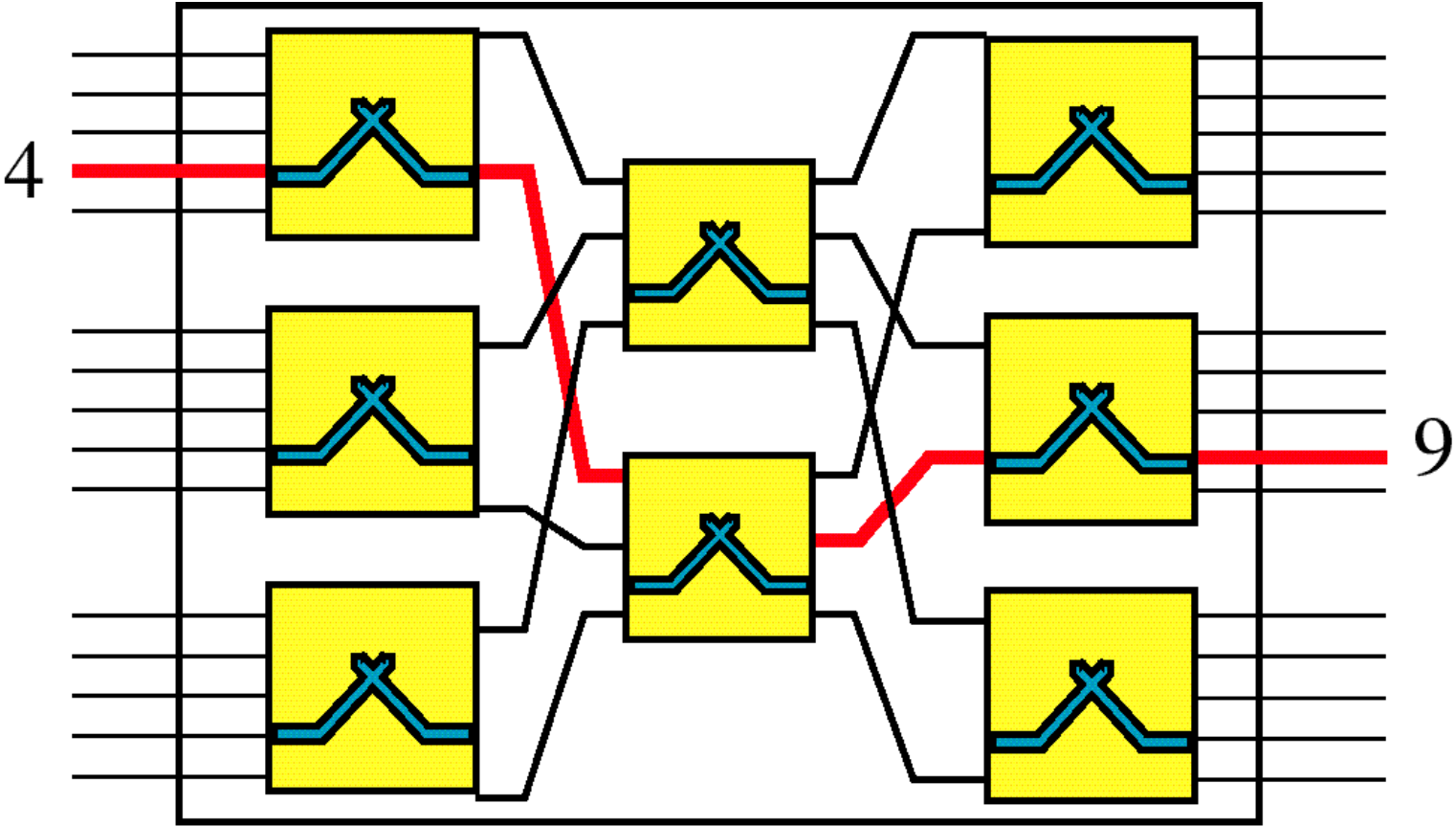
Crossbar Switch



Multistage Switch

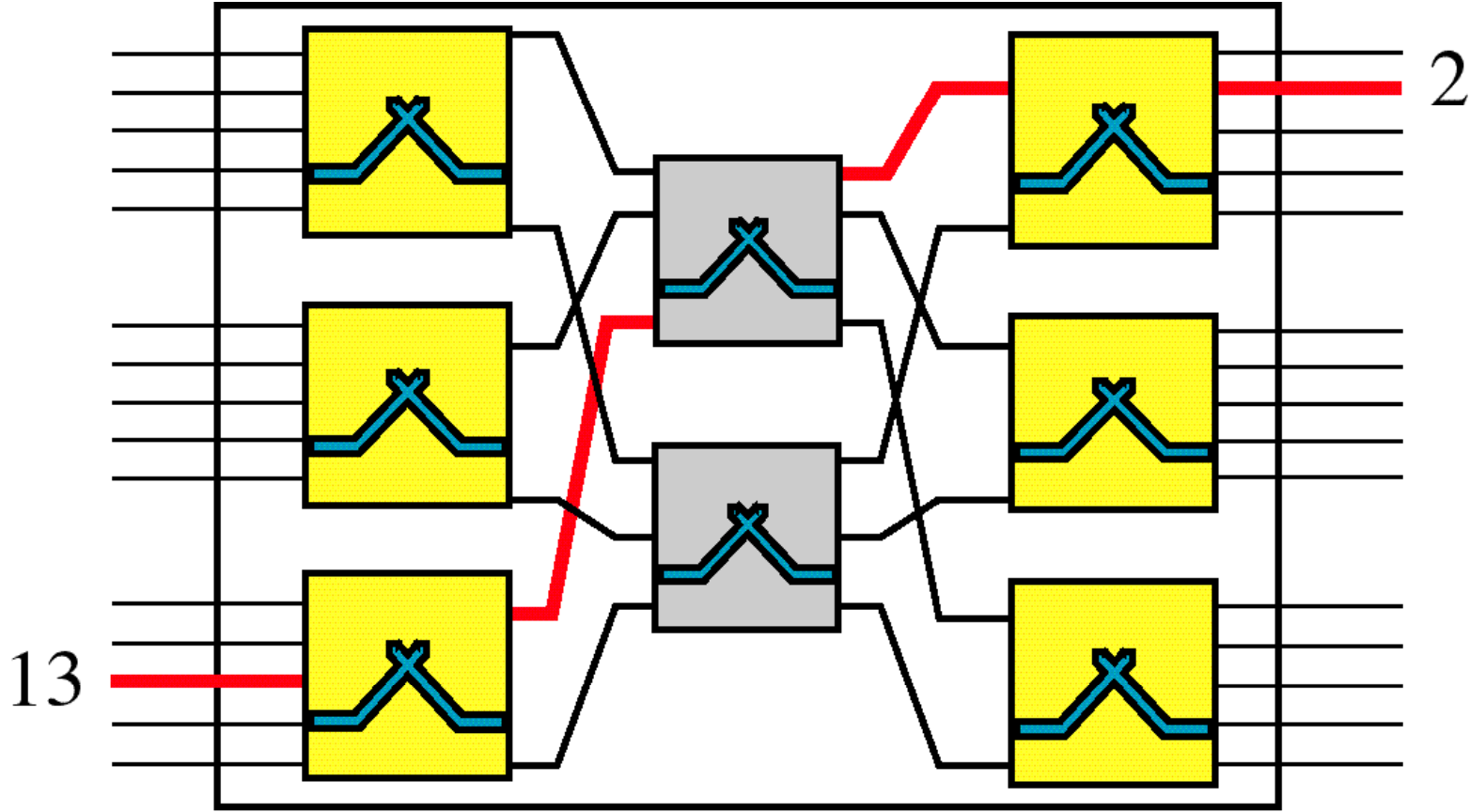


Switching Path



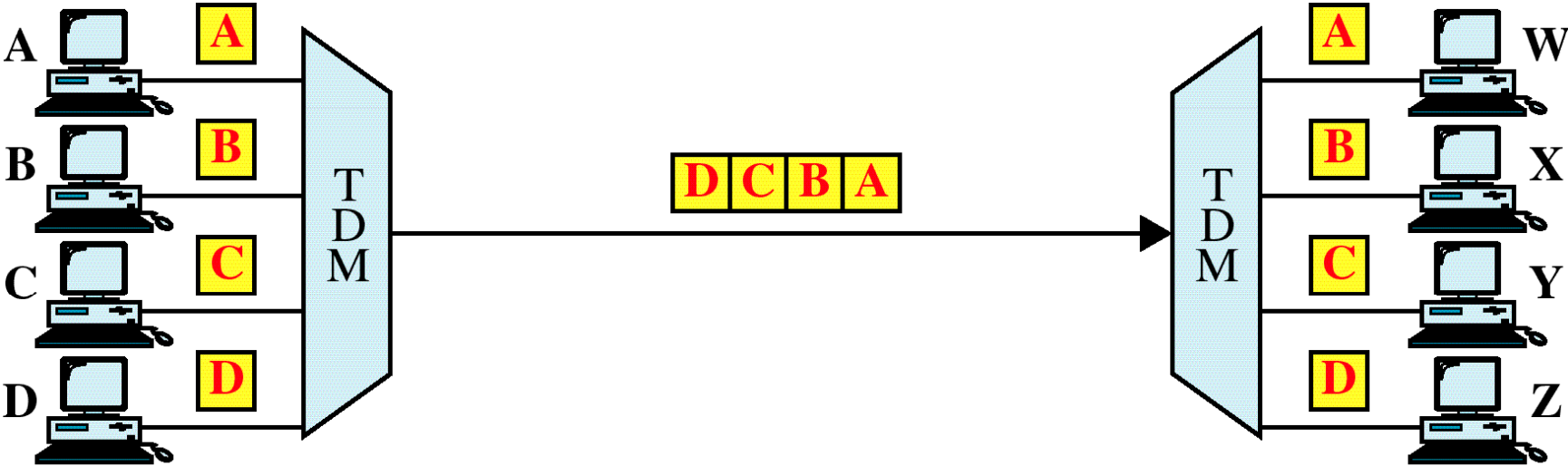
4 connected to 9

Switching Path



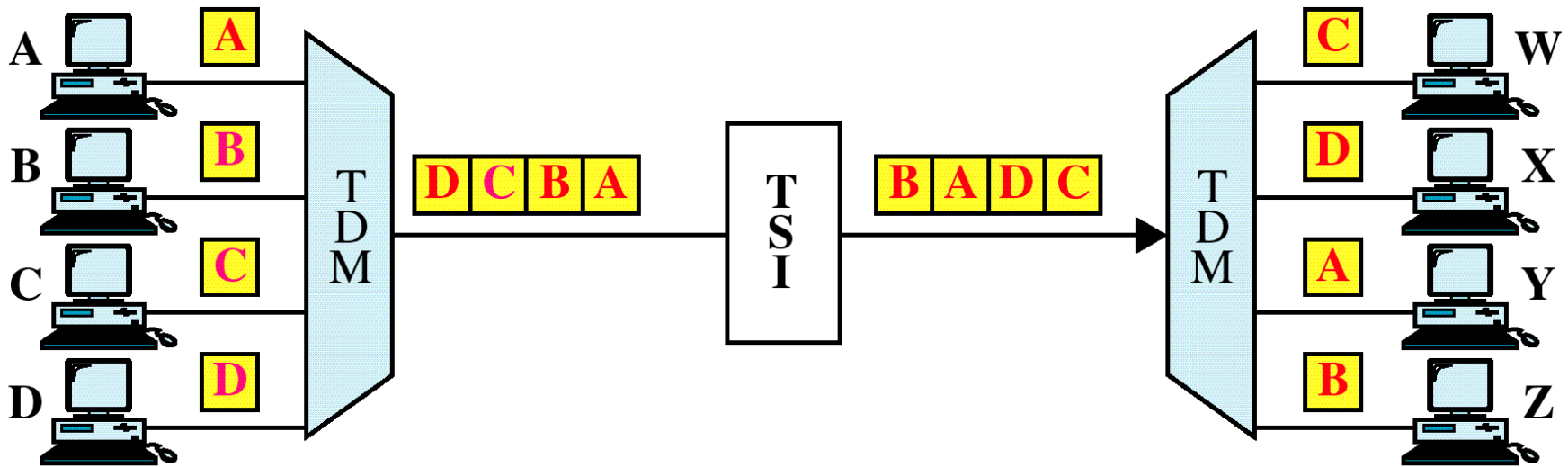
13 connected to 2

TDM without TSI



No switching

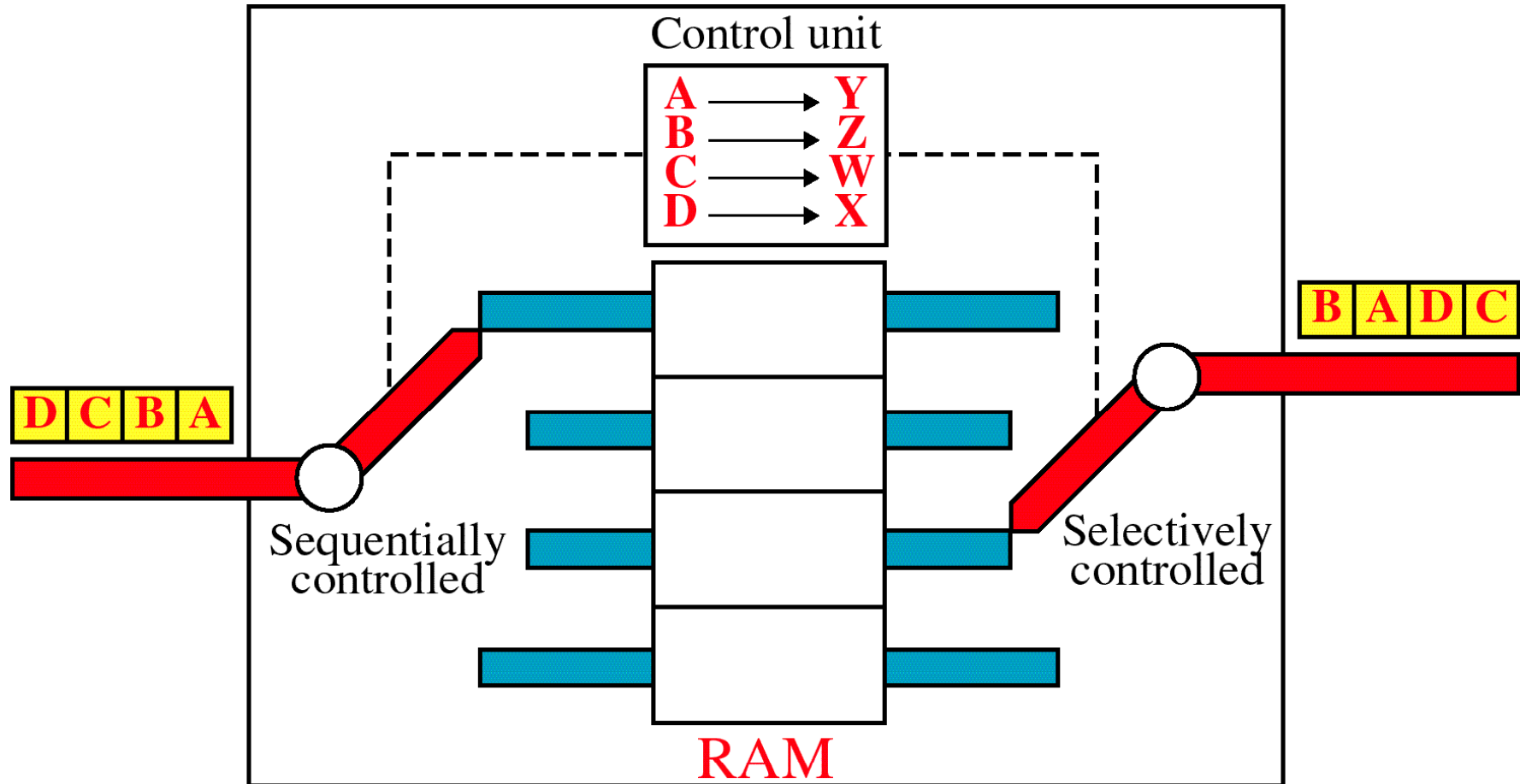
TDM with TSI



Switching

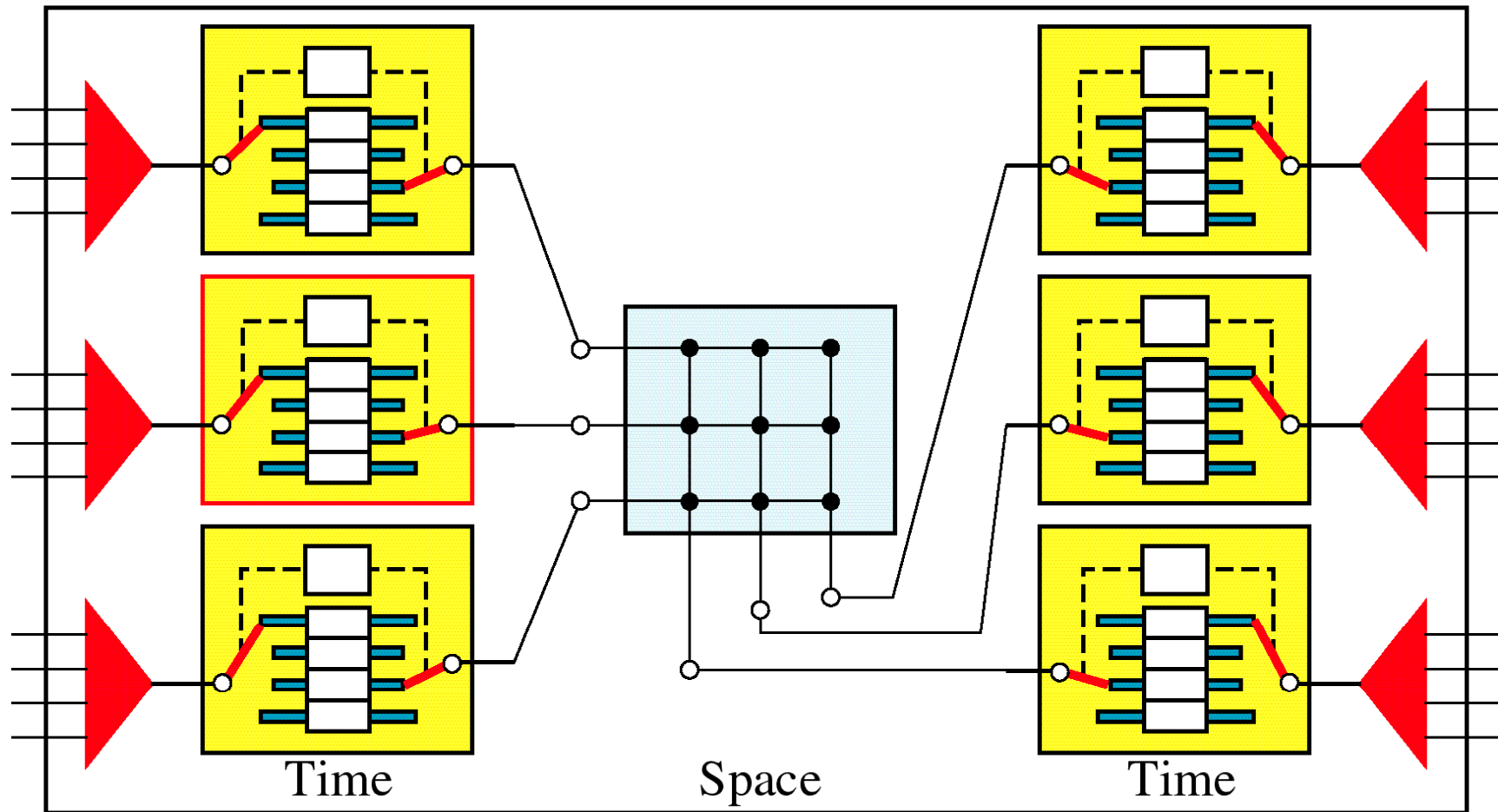
Time-Slot Interchange

TSI



TST Switch

TST



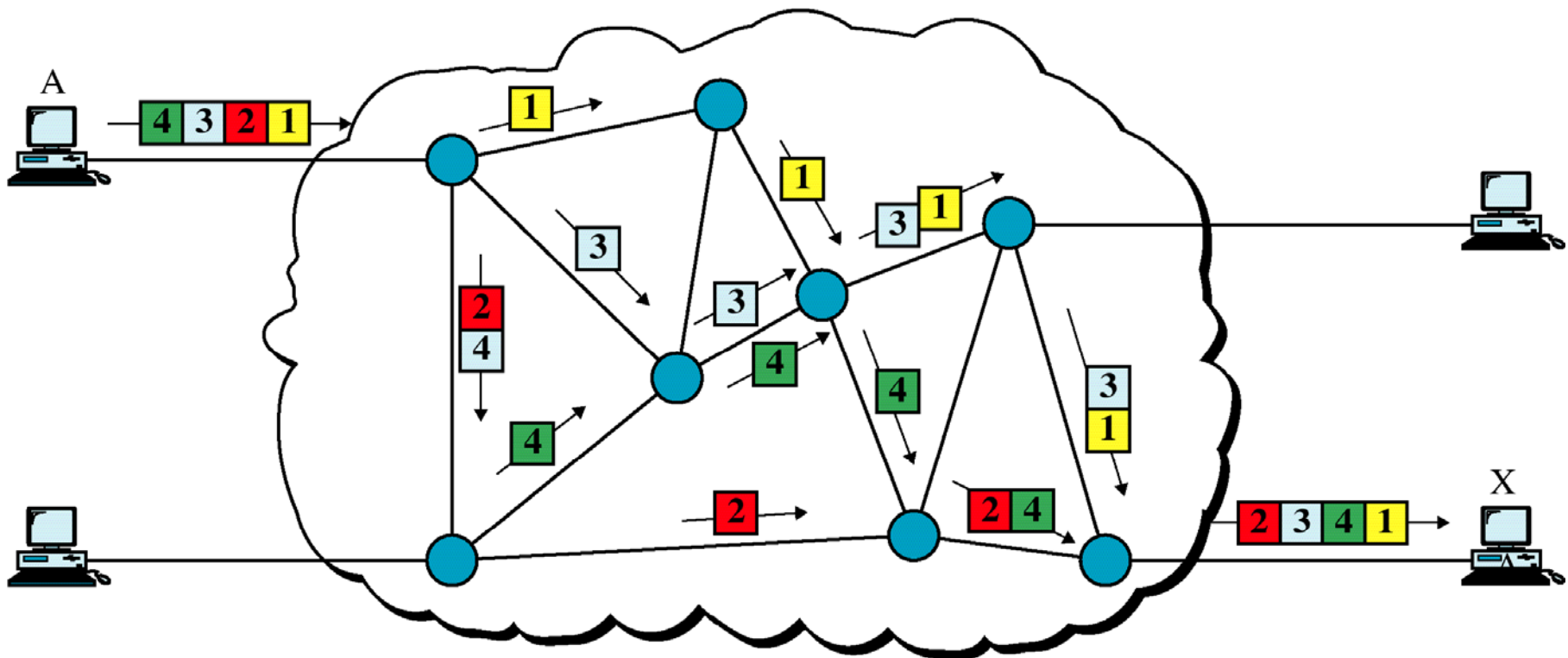
Packet switching

```
graph TD; A[Packet switching] --> B[Datagram approach]; A --> C[Virtual circuit approach];
```

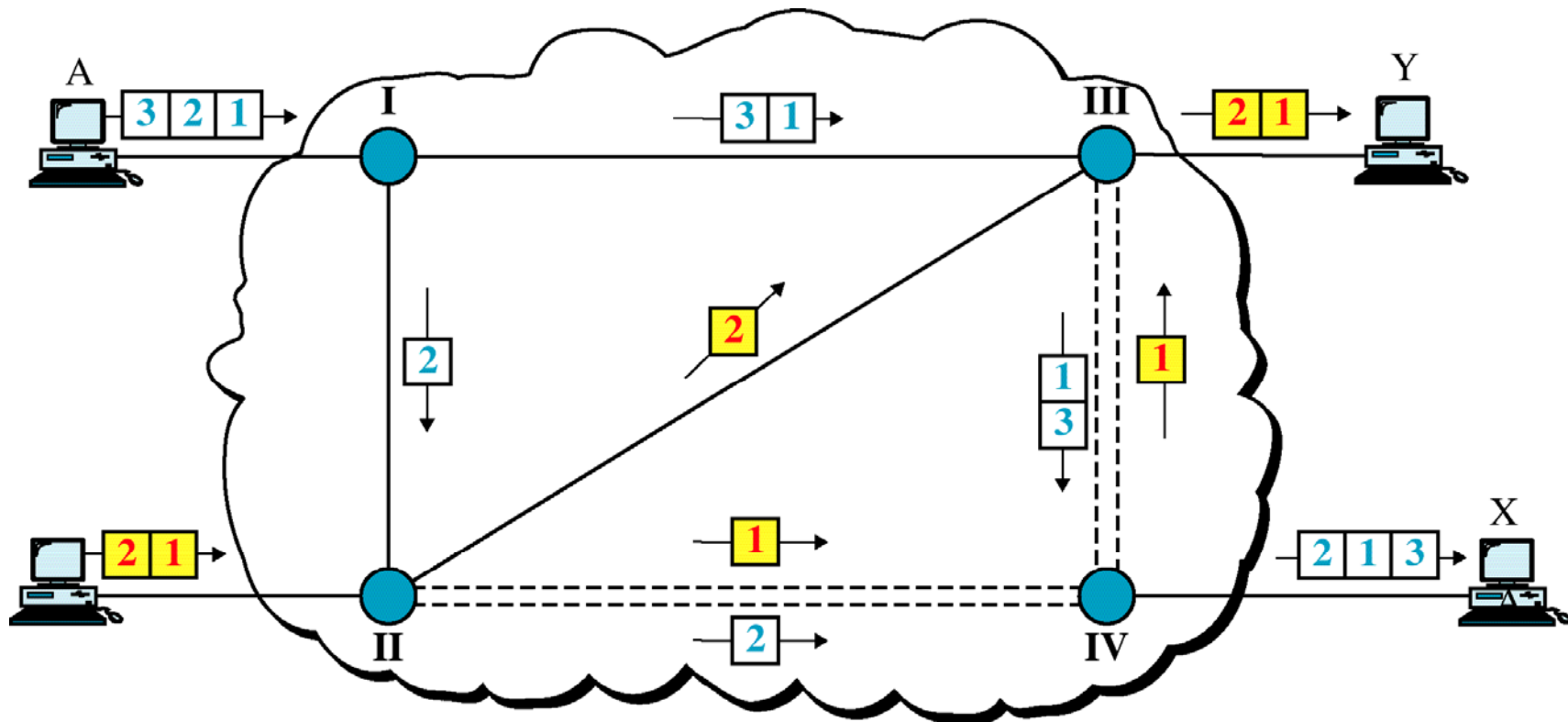
Datagram approach

Virtual circuit approach

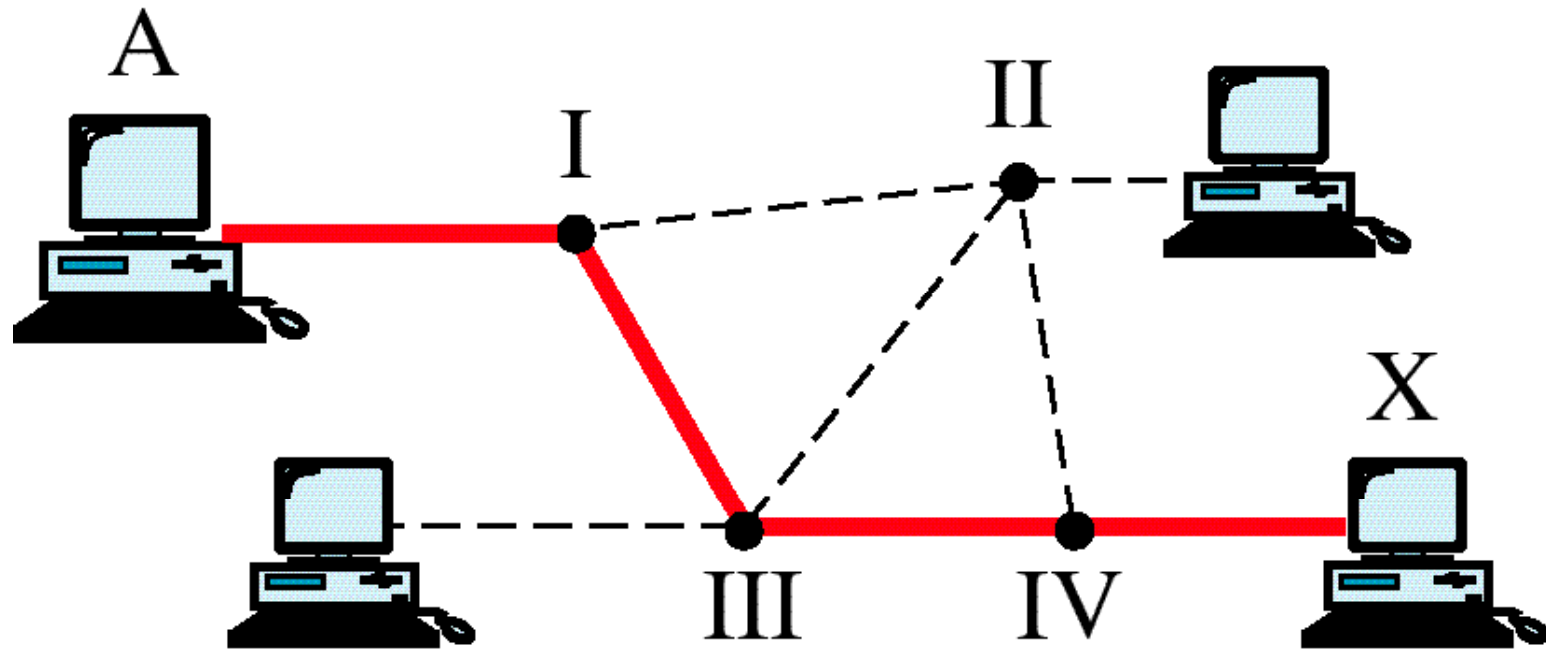
Datagram Approach



Datagram Approach, Multiple Channels

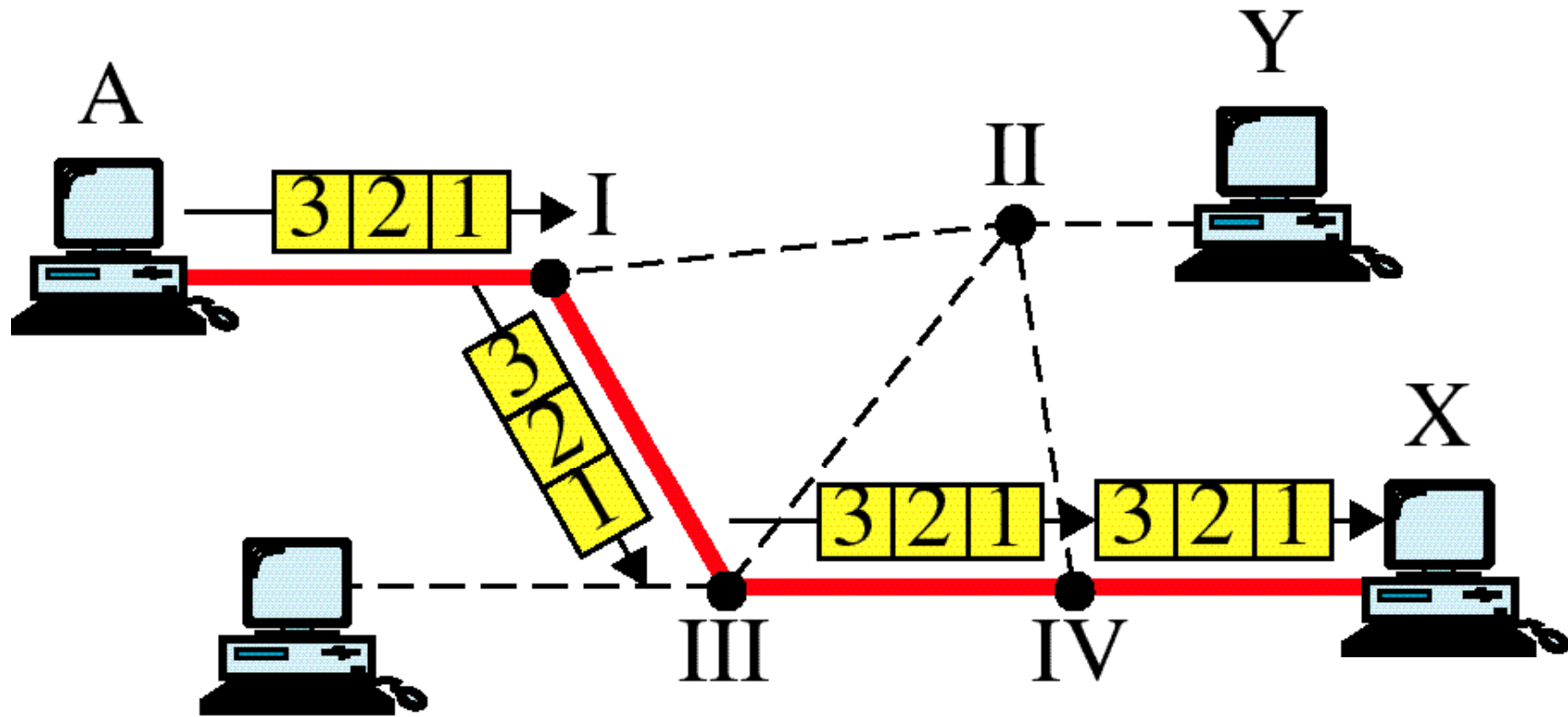


Switched Virtual Circuit



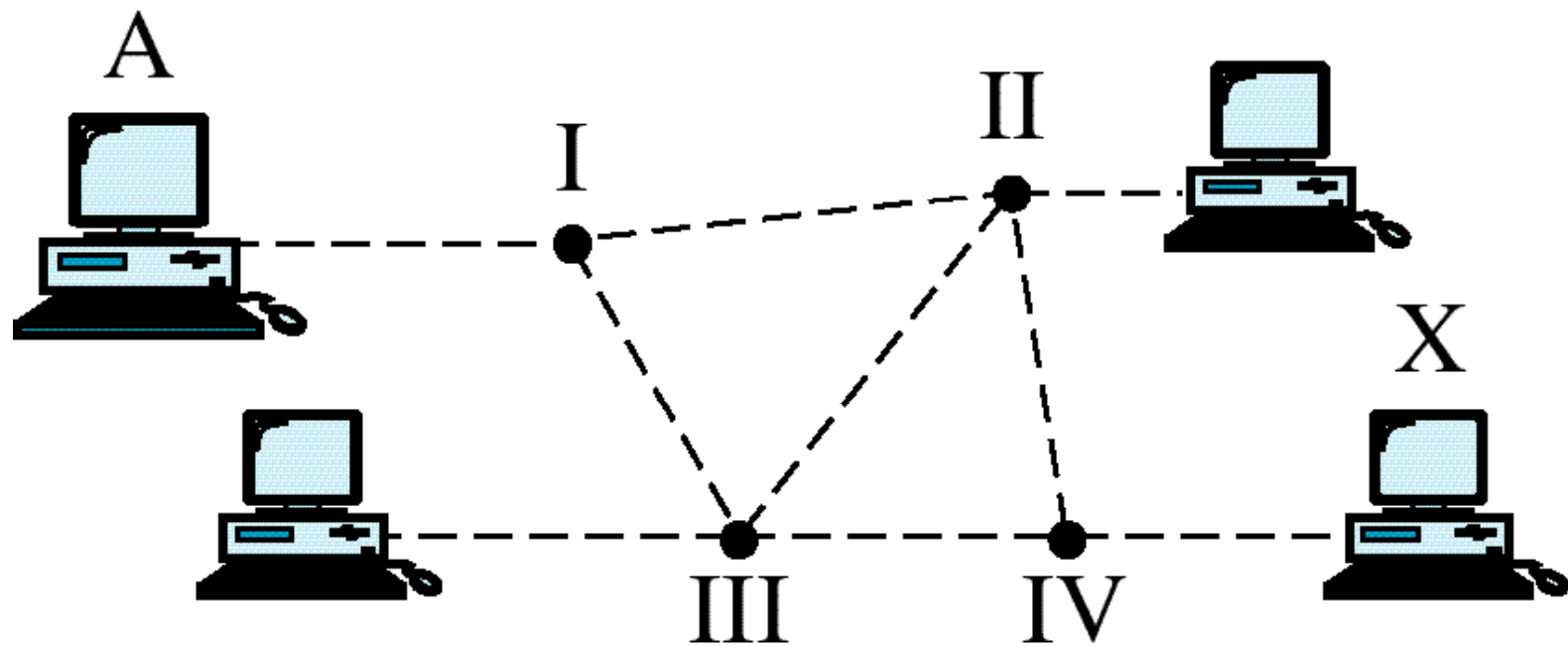
Connection establishment

Switched Virtual Circuit



Data transfer

Switched Virtual Circuit



Connection release

Message Switching

